

Application areas

Wireless remote control for
CLAGE instant water heaters:

> DSX Touch / DSX¹⁾ / DSX Twin

> DEX¹⁾ / DEX12

> CFX-U

> CEX / CEX-9

> CEX-U / CEX9-U


> MCX / MCX BLUE

1) DEX and DSX manufactured after July 2012 (from serial number 512213-xxxxxx)



Wireless remote control FX



	 FX
Part number:	2400-26050 for instant water heaters build until end of 2016 2400-26090 for instant water heaters build since 2017
Suitable for CLAGE instant water heater models:	D-series: DSX Touch, DSX, DSX Twin, DEX, DEX12 C-series: CFX-U, CEX, CEX-9, CEX-U, CEX9-U M-series: MCX, MCX BLUE
Operating voltage [V]:	3
Type of battery:	2 × AAA-Alkaline ¹⁾
Transmission range [m]:	10 (incl. barrier)
Transmission power [mW]:	< 10
Transmission and receiving frequency range [MHz]:	868.0 – 868.6
Radiation:	undirected
Protection class / Approvals:	IP 20 ²⁾
Dimensions (height × width × depth) [cm]:	5.8 × 12.5 × 1.9

1) Do not use rechargeable batteries. 2) Do not expose the remote control to moisture.

Description

- > Wireless remote control for instantaneous water heater
- > Two-button temperature selection plus two pre-set buttons
- > LCD display
- > The communication between the remote control and the instantaneous water heater is bidirectional. Due to this technology the data transfer is secured even under difficult installation conditions
- > After keystroke the remote control emits every 10 seconds during water flow. When the water flow stops the remote control emits again 3 times, i.e. again 30 seconds and switches in the energy saving mode after that
- > Wireless adapter for installation in the instant water heater included
- > Batteries included
- > Magnetic wall bracket included

Wall bracket

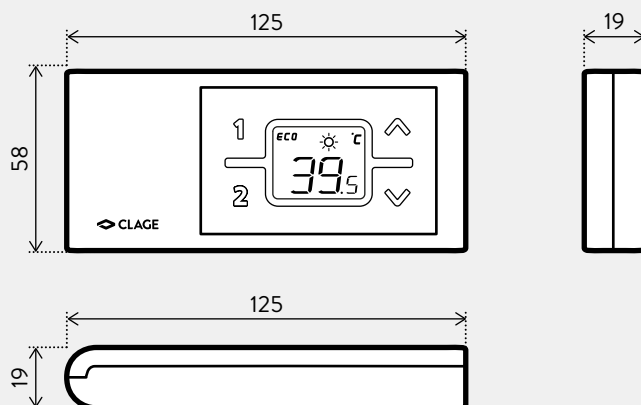
The wall bracket of the remote control can either be attached securely with the included adhesive tape, after stripping off the protection film on a plain surface (e.g. a tile) or with suitable dowels and screws. The remote control is magnetically retained at the wall bracket. Dimensions (height × width × depth): 6.0 × 9.7 × 0.7 cm



Assembly and operating instructions
must be observed upon installation.

Measurements in mm

The wall bracket can alternatively be attached
by the adhesive tape strips



Mounting: Magnetic wall bracket

